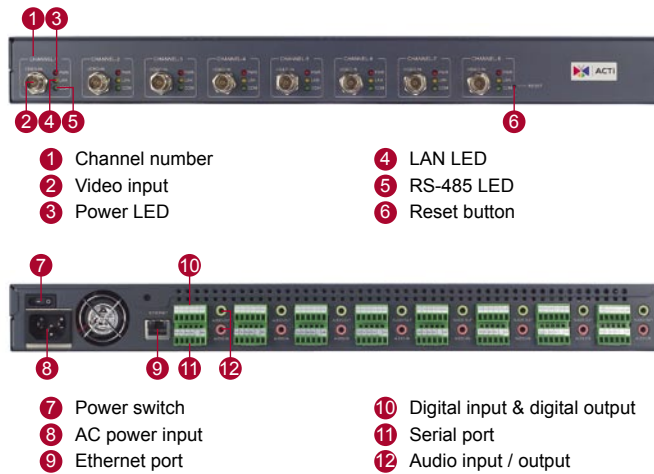


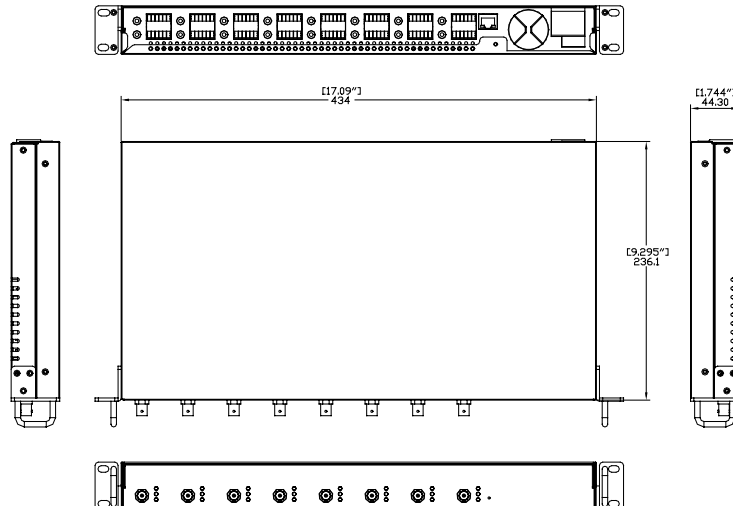
SED-2600/2610



- 8 independent channels with 8 isolated video inputs
- MPEG-4 ASP compliant compression
- CIF up to Full D1 resolution at 25/30 fps per channel
- QoS enabled (L3) video streaming
- Digital time code embedded for each channel
- Isolated digital input and output pairs for each channel
- Isolated serial ports (RS-485 or RS-232 or RS-422) for each channel
- Isolated two way audio ports for each channel (SED-2610)
- 1U form factor for rackmount



DIMENSION DIAGRAM



Unit: mm [inch]

**SED-2600/2610****PRODUCT SPECIFICATION**

		SED-2600	SED-2610
Video Compression	Compression	MPEG-4 ASP Compliant	
	Picture Resolution	Full D1 (720x480 in NTSC, 720x576 in PAL); CIF (352x240 in NTSC, 352x288 in PAL); QCIF (160x112 in NTSC, 176x144 in PAL) (per channel)	
	Bit Rate	28K ~ 3M bps (per channel)	
	Image Frame Rate	30fps at full D1 resolution (NTSC); 25fps at full D1 resolution (PAL) (per channel)	
	Multi-stream	Up to 4 configurable frame rate/bit rate streams for preview and recording (per channel)	
Video Input	Composite Input	8, CVBS, 1.0Vp-p with 75Ω loading, BNC connector	
Video Output	Composite Output	N/A	
Audio Input	Compression	N/A	8kHz, Mono, PCM
	Audio Line Input	N/A	8, Unbalanced, 1.4 Vpp, 1Vrms, 3.5 mm Jack
Audio Output	Compression	N/A	8kHz, Mono, PCM
	Audio Line Output	N/A	8, Unbalanced, 1.0 Vpp, 1Vrms, 3.5 mm Jack
Alarm	Input	2, TTL, terminal block (per channel)	
	Output	2, TTL, terminal block (per channel)	
Remote Control	Serial Port	RS-485: half duplex, terminal block; RS-422: full duplex, terminal block; RS-232: full duplex, terminal block (per channel)	
External I/O	Reset Button	Factory default	
	LED	System status (per channel)	
Network	Ethernet	Ethernet (10/100Base-T), RJ-45 connector	
	Protocol	TCP, UDP, IP, HTTP, DHCP, PPPoE, RTP, RTSP, FTP, SMTP	
Software	Web Browser	Microsoft Internet Explorer 6.0 or above	
	SDK	ActiveX control, C SDK	
	PTZ Protocol	Pelco-P_type1, Pelco-P_type2, Pelco-D, Dynacolor, Samsung, VCL, Videotrek, Kampro-V1, Kampro-V2	
	Security	Password Protection: configured by the administrator	
Operating	Temperature	5 ~ 50 °C (40 ~ 122 °F)	
Power	Power Requirement	AC 100 - 240 V 50/60 Hz	
	Power Consumption	300 W	
Physical	Dimensions	434 mm x 236 mm x 44.3 mm (17.09" x 9.295" x 1.744")	
	Weight	4.2 Kg	

ORDERING INFORMATION

Model Name	w/ Audio	w/o Audio
SED-2600		V
SED-2610	V	