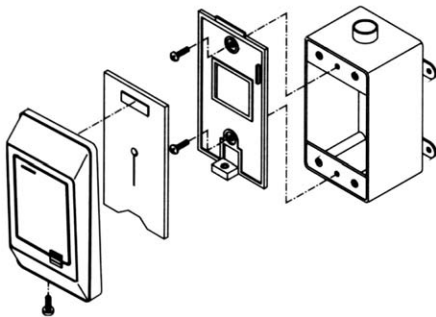


## Overview

The GE Model 940 Proximity Perfect™ reader represents the latest in proximity technology, and offers true contactless convenience when entering and exiting secure facilities. The new Model 940 features two-state intelligent supervision, and an environment optimization technology that automatically adjusts to different types of installation environments. The Model 940 is easy to install on conventional walls, metal surfaces, and into single-gang US electrical boxes.

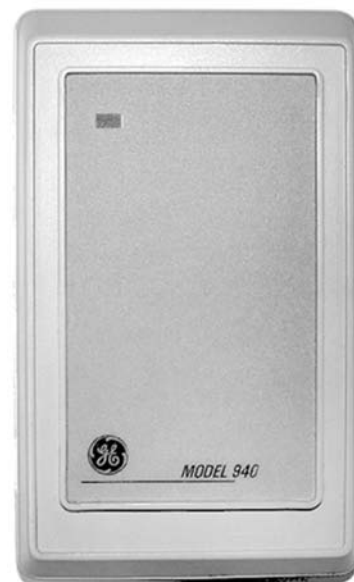


## Standard Features

- Intelligent two-state supervision that continuously monitors for alarm conditions at the reader, door contacts, and REX connections
- Environment optimization technology that automatically adjusts to a wide range of metal and non-metal installation environments
- Compatible with all GE ProxLite, ISOProx, and key fob credentials
- Mounts easily to conventional walls, metal surfaces, and into single-gang US electrical boxes
- Red, green, and yellow visual indicators provide reader activity status; the internal beeper also produces unique audible tones for tamper alerts and reader offline status
- Internal tamper switch activates alerts to security personnel when the reader is breached
- Agency approvals include FCC, CE mark, and UL 294

# 2-State Proximity Perfect Reader

Model 940



North America  
T (561) 998-6100  
T 888-GE-SECURITY  
888-(437-3287)  
F 561 998 6224  
E rs-bctinfo@ge.com

Asia  
T 852-2907-8108  
F 852-2142-5063

Australia  
T 61-3-9259-4700  
F 61-3-9259-4799

Europe  
T 32-2-725-11-20  
F 32-2-721-86-13

Latin America  
T 305-593-4301  
F 305-593-4300

[www.gesecurity.com](http://www.gesecurity.com)

© 2006 General Electric Company  
All Rights Reserved

## Intelligent Supervision

The Model 940 reader features intelligent two-state supervision that continuously monitors for closed circuit conditions at door contacts, as well as request to exit (REX) connections. The Model 940 also ensures security personnel are notified if a reader is tampered with, or communication is lost between the reader and the microcontroller—making the GE Model 940 one of the most secure readers on the market.

## Environment Optimization

The GE Model 940 reader also features a new optimization technology that automatically adjusts to a wide range of installation environments. After installing the reader, it automatically detects and optimizes the credential detection (read) field for challenging environments like metal surfaces. By optimizing the reader for any metal or non-metal environment, card-holders will experience consistent reader performance in all types of installations. This feature also eliminates the need for metal back plates or special metal-compatible readers.

## Weather Resistant/Lifetime Warranty

The Model 940 reader housings are made of durable UV-resistant polycarbonate material that inhibits discoloration in all types of indoor/outdoor conditions including direct sunlight. The reader also features advanced electronics and circuitry for protection against inclement weather. Combine all this protection with a lifetime warranty, and any organization can confidently expect years of exemplary reader service.

## Specifications

Color Options	Gray or Black
Physical Dimensions (HWD)	4.75 in x 2.90 in x 0.90 in (121 mm x 74 mm x 23 mm)
Operating Temperature Range	-31° to 151° F (-35° to 66° C)
Relative Humidity	5% to 95% (non-condensing)
Minimum Wiring	4 conductors (minimum)
Certifications	FCC Part 15, CE Mark, UL 294
Cabling Distance	3,000 ft (914 m) using 20 AWG @ 12 VDC
Compatibility	Micro/4 Micro/5P, Micro/5-PX, Micro/5-PXN Micro/PX-2000, Micro/PXN-2000 All GE ProxLite and ISOProx badges and key fob credentials

## Ordering Information

430084001	Model 940 Proximity Perfect reader*, gray
430084002	Model 940 Proximity Perfect reader*, black
385001001	*Installation wrench (required)

